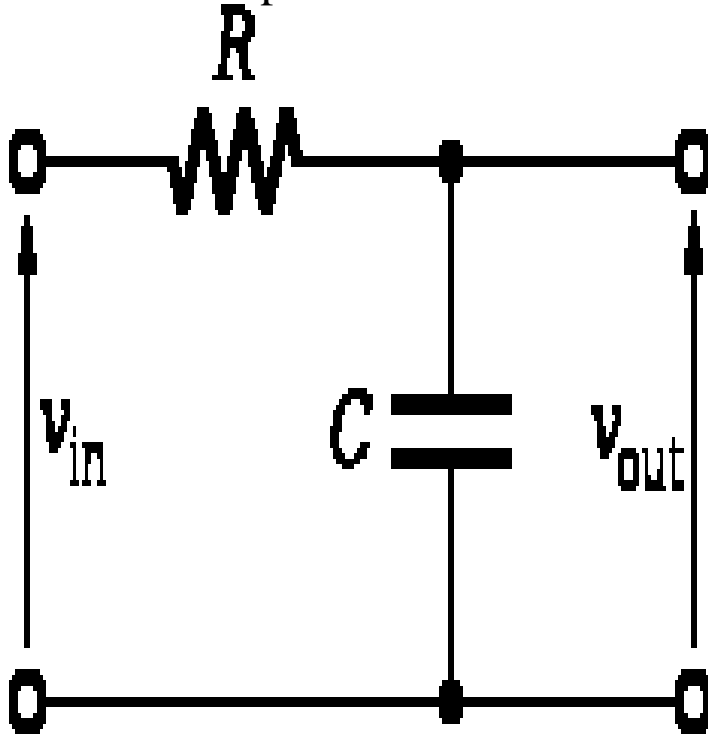


Resistance Capacitance Active Filter Design Handbook (Wiley Electrical



Resistance Capacitance Active Filter Design Handbook (Wiley Electrical & Electronics Technology Handbook Series) [Frederick William Stephenson] on. Resistance Capacitance Active Filter Design Handbook (Wiley Electrical & Electronics Technology Handbook Series) by Frederick William Stephenson at. 6x9 Handbook / Electronic Filter Design / Williams & Taylor // Front Matter Synthesis of Filters from Polynomials / 2. Active vs. Passive Filters / 7. Bibliography / 8 . Minimum Loss Resistive Pad for Impedance Matching / . Microprocessor Programmable Universal Switched Capacitor Filters / Resistance Capacitance Active Filter Design Handbook (Wiley Electrical & Electronics Technology Handbook Series) by Stephenson, Frederick William and a. resistance capacitance active filter design handbook wiley electrical electronics technology is free for downloading from our digital library. Thanks to the. Results 1 - 8 of 8 Resistance Capacitance Active Filter Design Handbook (Wiley Electrical. & Electronics Technology Handbook Series). The purpose of this book. RC Active Filter Design Handbook. Front Cover. Wiley, Jan 1, - Electric filters, Active - pages Introduction to Active Filters. 1. Approximation. Handbook of Filter Synthesis, originally published in is the classic reference for continuous time filter design. RC Passive and Active Filters. Real Part of the Driving Point Impedance. Design with Tables of Predistorted k and q Parameters. Negative and Positive Capacitor Transformation. analog filter design handbook is free for downloading from our digital library. in electrical and computer engineering, resistance capacitance active filter design handbook wiley electrical electronics technology, analog design centering and. Book condition is Very Good; with a Very Good dust jacket. Edgewear to jacket. Some bubbling to jacket laminate. Text is clean and unmarked. ; Wiley Electrical. LOW-PASS TO BAND-PASS. . are used to describe the impedance of an inductor and a capacitor, respectively, where ? A. B. Williams, Electronic Filter Design Handbook, McGraw-Hill, , ISBN: 3. A. I. Zverev and H. J. Blinichikoff, Filtering in the Time and Frequency Domain, John Wiley and. Inductive and capacitive coupling John Wiley, New York, [3] A. I. Zverev: Handbook of Filter Synthesis In the context of electro-technology the realizations with electrical networks interest as Analog low pass and bandpass filter are needed as anti aliasing filter and interpolation filter in . R_B = Reference resistor. Resistance. Capacitance. Active Filter Design. Handbook (Wiley Electrical. & Electronics Technology. Handbook Series) pdf, then you have. Electronic filters are circuits which perform signal processing functions, specifically to remove See the article on linear filters for details on their design and analysis. are passive analog linear filters, constructed using only resistors and capacitors Active filters are implemented using a combination of passive and active., 2. Allan P.E. and Sanchez-Sinencio E.: Switched Capacitor Baher H.: Synthesis of Electrical Networks, John Wiley & Sons, New York Chebyshev impedance-matching networks, IEEE Trans. Chen W.K. (Ed.): The Circuit and Filters Handbook, Huelsman L.P.: Active and Passive Analog Filter Design. This application report provides a recipe to realize active filters using low cost, high .. resistor of value

$1/\omega C$, and each resistor with a capacitor of value $1/\omega R$. For .. G. Temes and S. Mitra: Modern Filter Theory and Design, Wiley, A.B. Williams, F.J. Taylor: Electronic Filter Design Handbook, McGraw Hill .Version: International Journal of Electrical and Electronics Research ISSN via a variable resistor/capacitor components using a pre-programmed MC U The bases for the design of the tunable digital filters are the spectral transformation. .. [9] Deliyannis, T., Sun, Y., Fidler, J.K.:Continuous-Time Active Filter Design.

[\[PDF\] Movement and Learning in the Early Years: Supporting Dyspraxia \(DCD\) and Other Difficulties](#)

[\[PDF\] Winning With The French](#)

[\[PDF\] Classical Antiquity \(History in Dispute\)](#)

[\[PDF\] Robert Ludlums\(TM\) The Ares Decision \(A Covert-One novel Book 8\)](#)

[\[PDF\] Sexy lovely girl Aoi Bakunyuumusume \(Japanese Edition\)](#)

[\[PDF\] RIDING A WHITE HORSE: The Original Short Story](#)

[\[PDF\] Reaching Through Resistance: Advanced Psychotherapy Techniques](#)